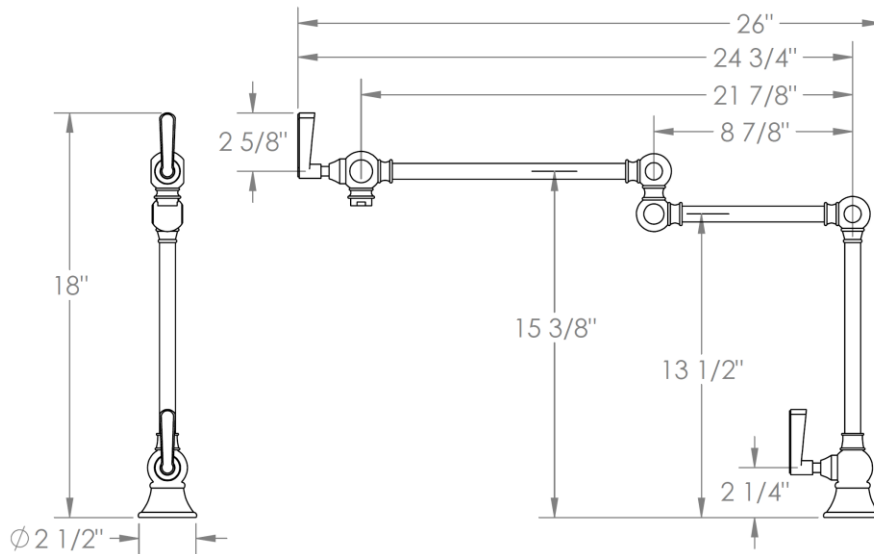


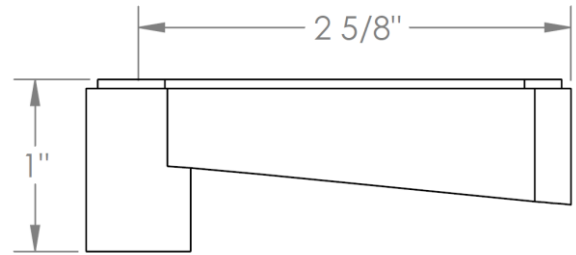
**29-7.9-  
Deck Mounted Pot Filler**



Meets the applicable requirements of ASME A112.18.1-2005/CSA B125.1-05, entitled "Plumbing Supply Fittings"

HANDLE TRIM OPTIONS

TR14 – BEEKMAN



TR15 - GOTHAM

